



# SOT1176-1

DFN2510A-10; Reel pack, SMD, 7"; Q1/T1 standard product orientation; Orderable part number ending ,115 or X; Ordering code (12NC) ending 115

Rev. 2 — 23 July 2018

Packing information

## 1 Packing method

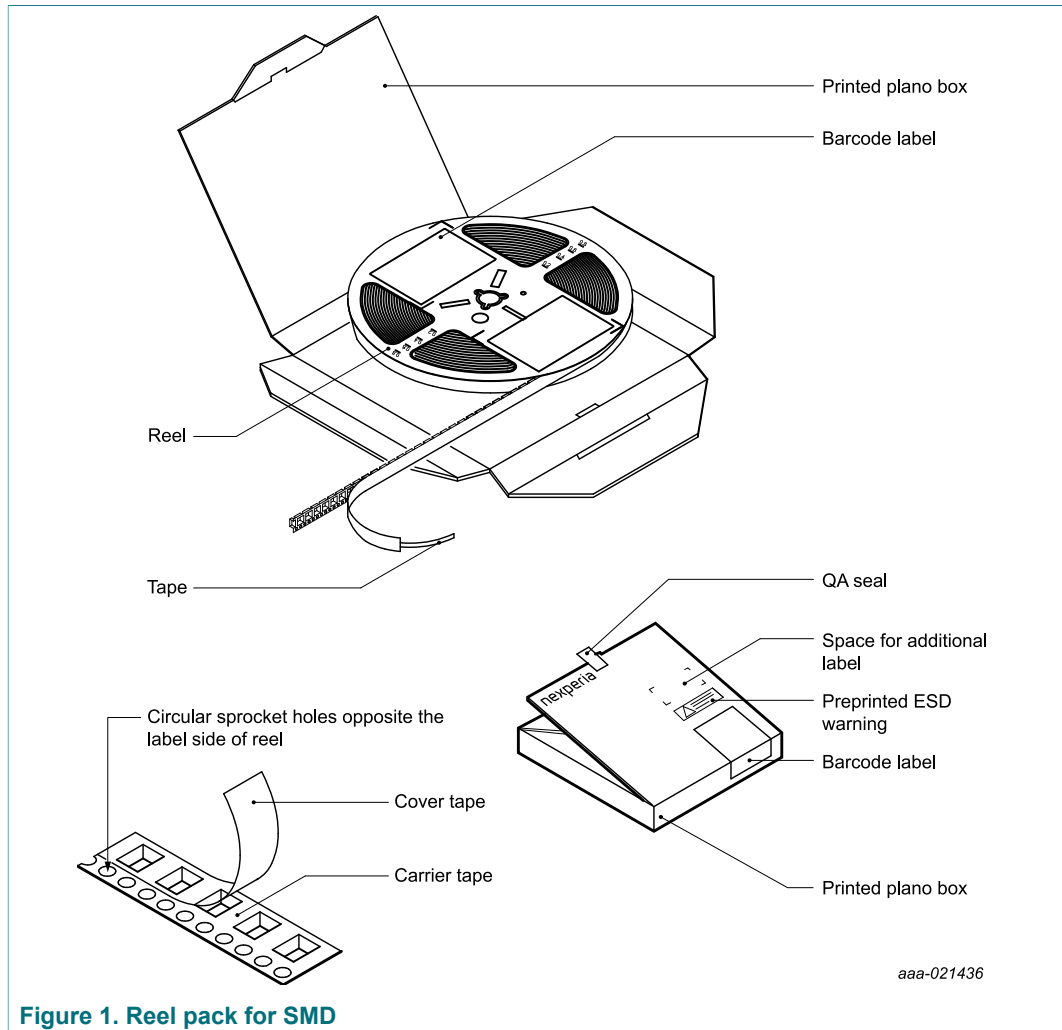


Figure 1. Reel pack for SMD

DFN2510A-10; Reel pack, SMD, 7"; Q1/T1 standard product orientation; Orderable part number ending ,115 or X; Ordering code (12NC) ending 115

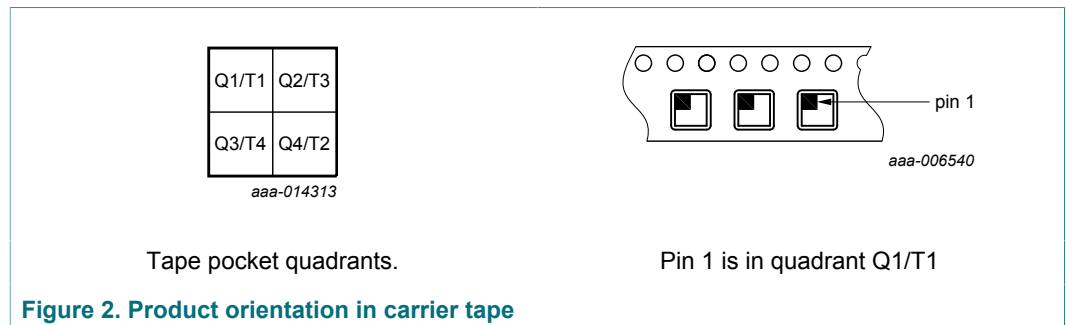
Table 1. Dimensions and quantities

Reel dimensions $d \times w$ (mm) <sup>[1]</sup>	SPQ/PQ (pcs) <sup>[2]</sup>	Reels per box	Outer box dimensions $l \times w \times h$ (mm)
180 × 8	5 000	1	187 × 187 × 18

[1]  $d$  = reel diameter;  $w$  = tape width.

[2] Packing quantity dependent on specific product type. Please contact your local Nexperia representative for ordering.

## 2 Product orientation



## 3 Carrier tape dimensions

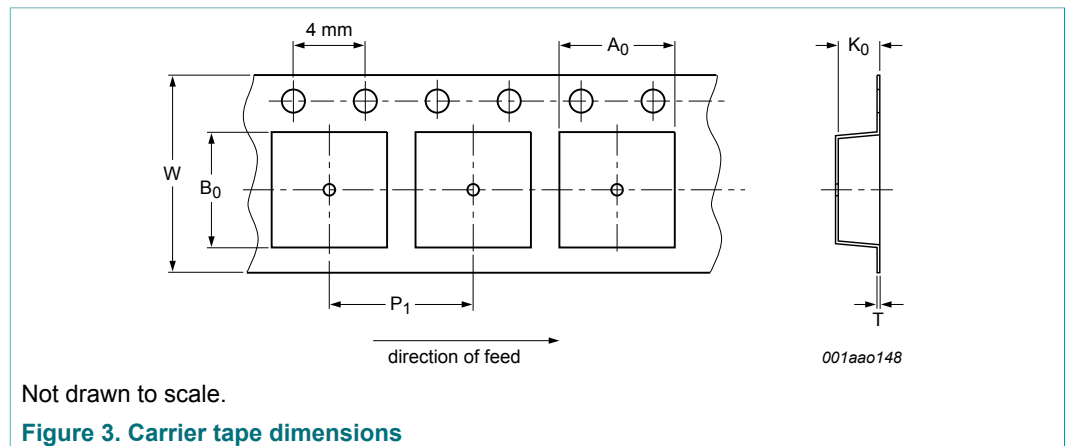


Table 2. Carrier tape dimensions

In accordance with IEC 60286-3.

$A_0$ (mm)	$B_0$ (mm)	$K_0$ (mm)	$T$ (mm)	$P_1$ (mm)	$W$ (mm)
$1.20 \pm 0.05$	$2.70 \pm 0.05$	$0.60 \pm 0.05$	$0.25 \pm 0.05$	$4.0 \pm 0.1$	$8.0 \pm 0.3$

4 Reel dimensions

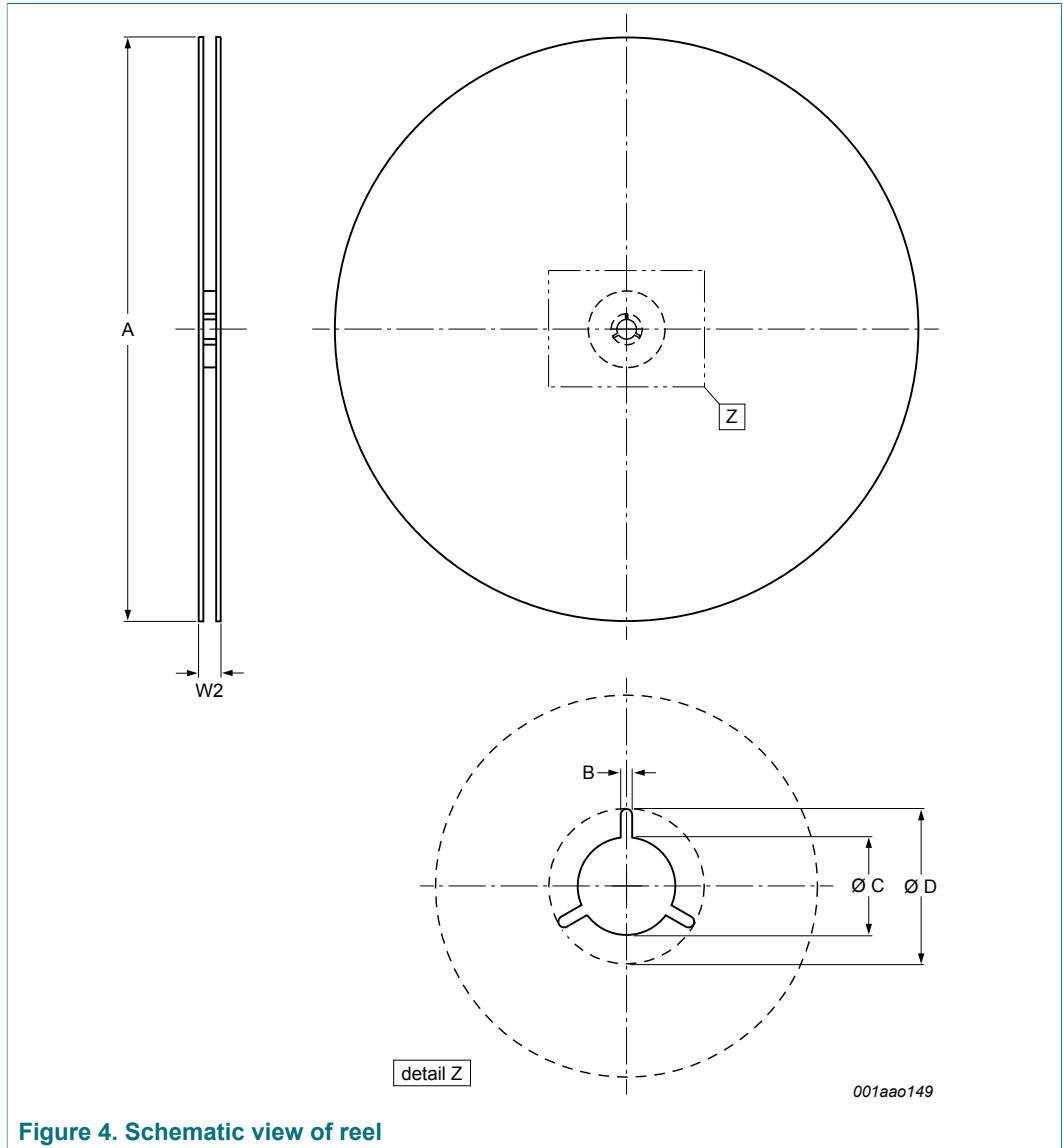


Figure 4. Schematic view of reel

Table 3. Reel dimensions

In accordance with IEC 60286-3.

A [nom] (mm)	W2 [max] (mm)	B [min] (mm)	C [min] (mm)	D [min] (mm)
180	14.4	1.5	12.8	20.2

DFN2510A-10; Reel pack, SMD, 7"; Q1/T1 standard product orientation; Orderable part number ending ,115 or X; Ordering code (12NC) ending 115

5 Barcode label

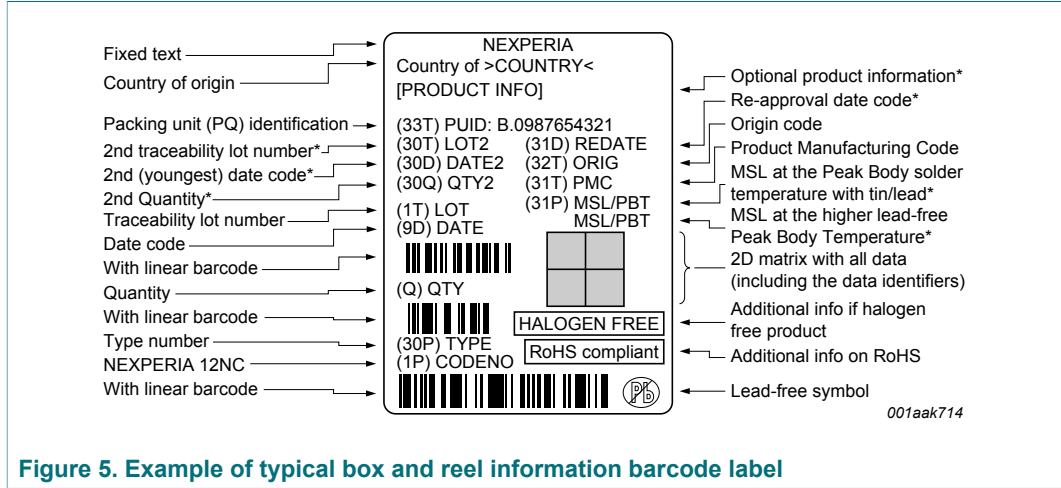


Figure 5. Example of typical box and reel information barcode label

Table 4. Barcode label dimensions

Box barcode label l × w (mm)	Reel barcode label l × w (mm)
100 × 75	100 × 75

DFN2510A-10; Reel pack, SMD, 7"; Q1/T1 standard product orientation; Orderable part number ending ,115 or X; Ordering code (12NC) ending 115

## 6 Revision history

Table 5. Revision history

Document ID	Release date	Packing document status	Change notice	Supersedes
SOT1176-1_115 v.2	20180723	Packing information	-	SOT1176-1_115 v.1
Modifications	1. Update to Nexperia template and figures, including package 3D, packing method, and barcode labels. 2. Update outer box dimensions in Table 1. 3. Add "not drawn to scale" note into Figure 3.			
SOT1176-1_115 v.1	20141208	Packing information	-	-

---

DFN2510A-10; Reel pack, SMD, 7"; Q1/T1 standard product orientation; Orderable part number ending ,115 or X; Ordering code (12NC) ending 115

## Contents

---

1	Packing method .....	1
2	Product orientation .....	2
3	Carrier tape dimensions .....	2
4	Reel dimensions .....	3
5	Barcode label .....	4
6	Revision history .....	5

---

Please be aware that important notices concerning this document and the product(s) described herein, have been included in section 'Legal information'.

---

© Nexperia B.V. 2018.

All rights reserved.

For more information, please visit: <http://www.nexperia.com>

For sales office addresses, please send an email to: [salesaddresses@nexperia.com](mailto:salesaddresses@nexperia.com)

Date of release: 23 July 2018